



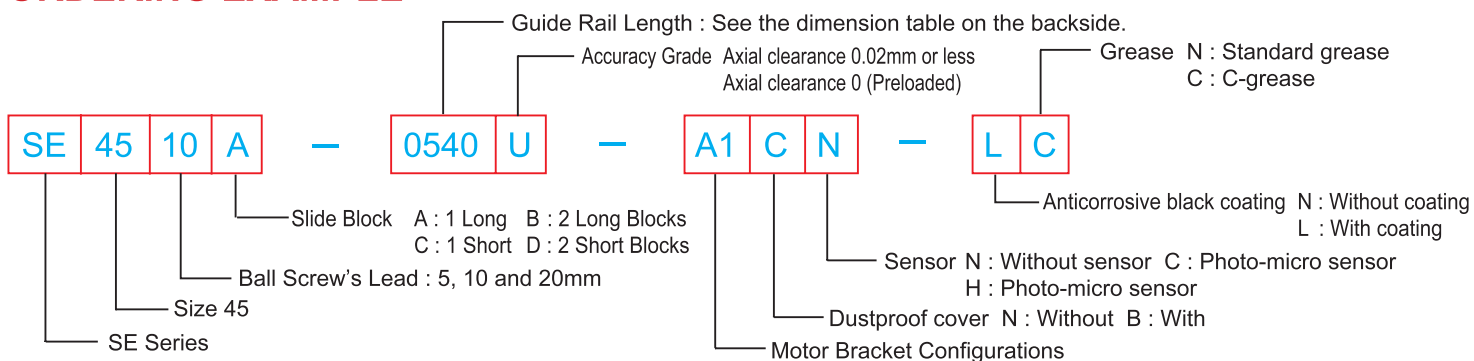
BALLSCREW ACTUATOR SE45 Series

Applicable Ball Screw : Dia.15mm Lead 5, 10 and 20mm

New size "45" released in Ballscrew Actuator SE Series



ORDERING EXAMPLE



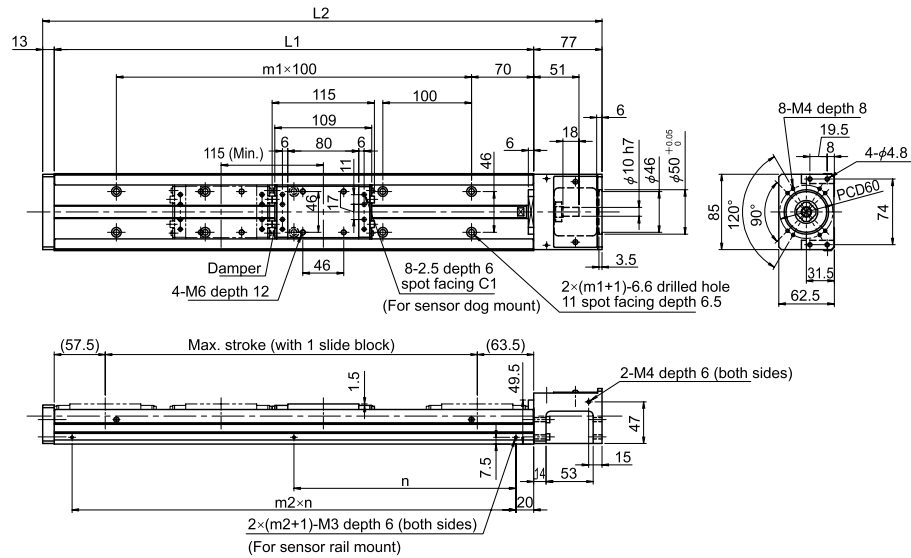
KURODA PRECISION INDUSTRIES LTD.

CAT.No.KB1005-①

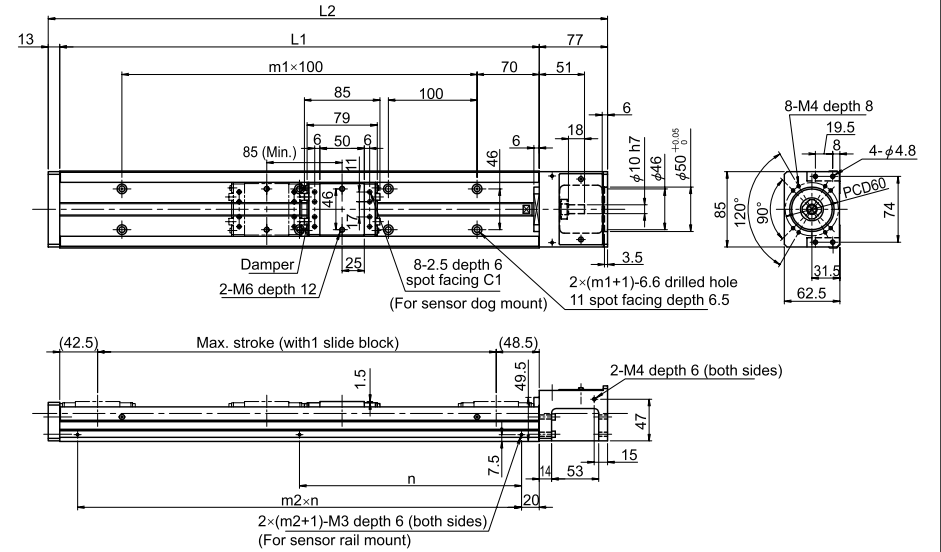
Please Order From:
Clark & Osborne, LLP
6617 Ferguson Avenue
Indianapolis, IN 46220

Phone: (317) 255-5668
Fax: (317) 253-4486
sales@ClarkAndOsborne.com
www.ClarkAndOsborne.com

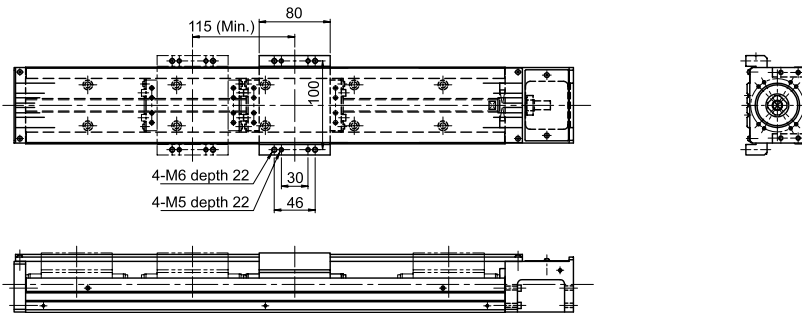
With 1 Long Block : A (With 2 Long Blocks : B)



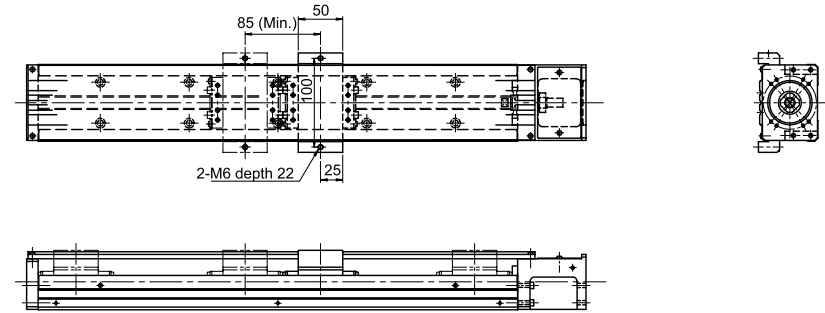
With 1 Short Block : C (With 2 Short Blocks : D)



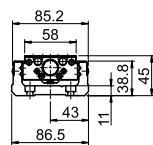
With Long Block and Dustproof Cover



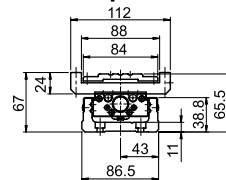
With Short Block and Dustproof Cover



Without Dustproof Cover



With Dustproof Cover



Dimensions					Maximum stroke			
L1	L2	m1	m2	n	SE45□A	SE45□B	SE45□C	SE45□D
540	630	5	2	250	419	304	449	364
640	730	6	2	300	519	404	549	464
740	830	7	2	350	619	504	649	564
840	930	8	2	400	719	604	749	664
940	1030	9	3	300	819	704	849	764

Max. stroke : Traveling distance of slide block between dampers
Please consult any customized request to KURODA.