

# KALLER®



**New!**

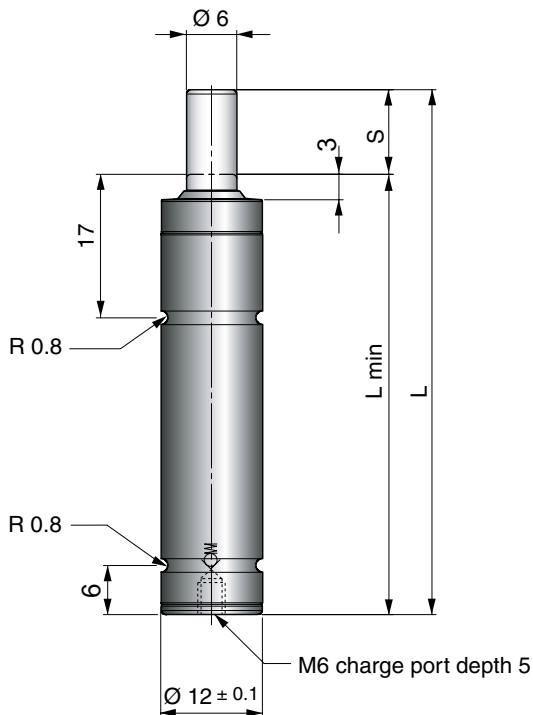
## Standard Features

- Safety Rod ✓
- Over-Pressure Protection ✓
- Hoseable ✓



## Gas Spring R12

## Gas Spring R12



R12 gas springs are available in four pre-charged models. All R12's are adjustable by the end user. Black is used to denote charging pressures in between or below the standard colour pressure codes.

Design includes KALLER unique safety features: Over-Pressure Protection and Safety Rod.

An upper and lower C-groove together with threaded bottom hole allows various mounting possibilities using the new FCR-12 flange mount.

R12 gas springs can be hoses together using the M6 port and Micro-Hose system.

### Standard Features

Safety Rod	✓
Over-Pressure Protection	✓
Hoseable	✓

### How to order

**Model:** R12 — **R12 25-63.5** — **Stroke Length (mm)**  
 (7, 10, 12.7, 15, 19, 25, 38, 50, 63.5, 75, 80, 100, 125)

**Force:** 13 = Green  
 25 = Blue  
 38 = Red  
 50 = Yellow  
 XX = Black, state desired force in daN

Model	Initial Force at +20°C / 68°F		Colour	Charging pressure		End force at +20°C / 68°F at full stroke	
	N	lbs		[bar]	[psi]	N	lbs
R12 13	130	29	Green	45	650	180	40
R12 25	250	56	Blue	90	1300	360	80
R12 38	380	85	Red	135	1960	540	120
R12 50	500	112	Yellow	180	2610	730	163
R12 XX*	60-500	13-112	Black	20-180	290-2610	84-730	19-163

\*Force to be set by the end user. Delivered with a pre-charge of 5 bar.

S Stroke	L ±0.25	L min	Gas vol. [l]	Weight [kg]
7	56	49	0.001	0.03
10	62	52	0.001	0.03
12.7	67.4	54.7	0.001	0.03
15	72	57	0.002	0.03
19	80	61	0.002	0.04
25	92	67	0.002	0.04
38	118	80	0.003	0.04
50	142	92	0.004	0.05
63.5	172	108.5	0.005	0.06
75	195	120	0.006	0.06
80	205	125	0.006	0.07
100	245	145	0.008	0.07
125	295	170	0.010	0.09

### Basic Information

For more information, see "About gas springs" Ch. 2.1 in the main catalogue.

Pressure medium .....Nitrogen  
 Min. charging pressure .....20 bar / 290 psi (at 20°C)  
 Operating temperature .....0 - +80°C / 32-176°F  
 Force increase by temperature.....±0.3%/°C / ±3%/18°F  
 Recommended max strokes/min .....~40-100 (at 20°C)  
 Max piston rod velocity .....1.6 m/s / 5.2 ft/s  
 Repair Kit .....Non-repairable  
 Rod surface .....Nitrided  
 Tube surface .....Black oxide

### Mounting Possibilities

