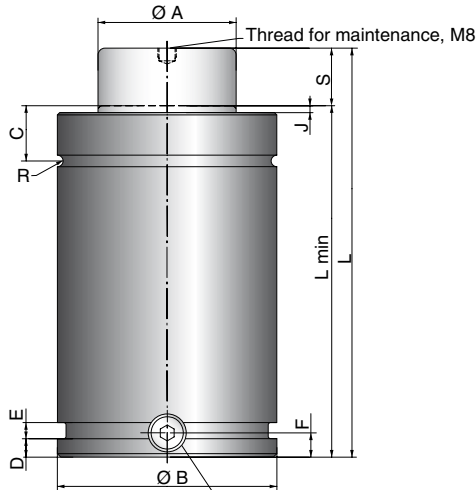


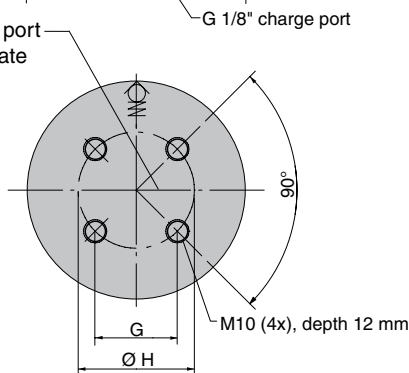
# KALLER®



**Power Line - Heavy Duty**  
**TX 4200 & TX 6600**



Optional bottom port for hose/base plate connection



Our new TX spring are a crossover between our classical TU Spring and our newer X Spring. The TX Spring combines the high forces from the X Spring with the outer dimensions and stroke lengths of the TU Serie.

### Features:

- Initial forces from 4200 to 6600 daN
- Over Stroke Protection System (Patented)
- Excessive Return Speed Protection System (Patented)
- Side or bottom charging ports for Hose-system connection.
- Upper C-groove, lower U-groove and bottom threaded holes allow for various standard mounting possibilities.
- Upper C-groove, lower U-groove and bottom threaded holes allow for various standard mounting possibilities.
- Optional bottom port for hose/base plate connection

Model	Spring force in N at 150 bar/ + 20° C		Ø A	Ø B	C	D	E	F	G	Ø H	J	R
	Initial	End force *										
TX 4200	42000	66000	60	95.2	24	8	7	10.5	42.4	60	3	2.5
TX 6600	66300	99000	75	120.2	25.5	8	7	10.5	56.6	80	3	2.5

\* At full stroke

Stroke		25	38	50	63	75	80	100	125	150	160	175	200	250	300
		TX 4200	L	170	196	220	246	270	280	320	370	420	440	470	520
	L min	145	158	170	183	195	200	220	245	270	280	295	320	370	420
TX 6600	L	190	216	240	266	290	300	340	390	440	460	490	540	640	740
	L min	165	178	190	203	215	220	240	265	290	300	315	340	390	440

## Basic Information

Pressure medium .....	Nitrogen
Max. charge pressure .....	150 bar (at 20° C)
Min. charge pressure .....	25 bar (at 20° C)
Operating temperature .....	0 to +80° C
Force increase by temperature .....	±0.3%/°C
Recommended max strokes/min .....	~ 15 -100 (at 20° C)
Max piston rod velocity .....	1.6 m/s
Repair Kit TX 4200 .....	3022953
Repair Kit TX 6600 .....	3022954

## Mounting possibilities

