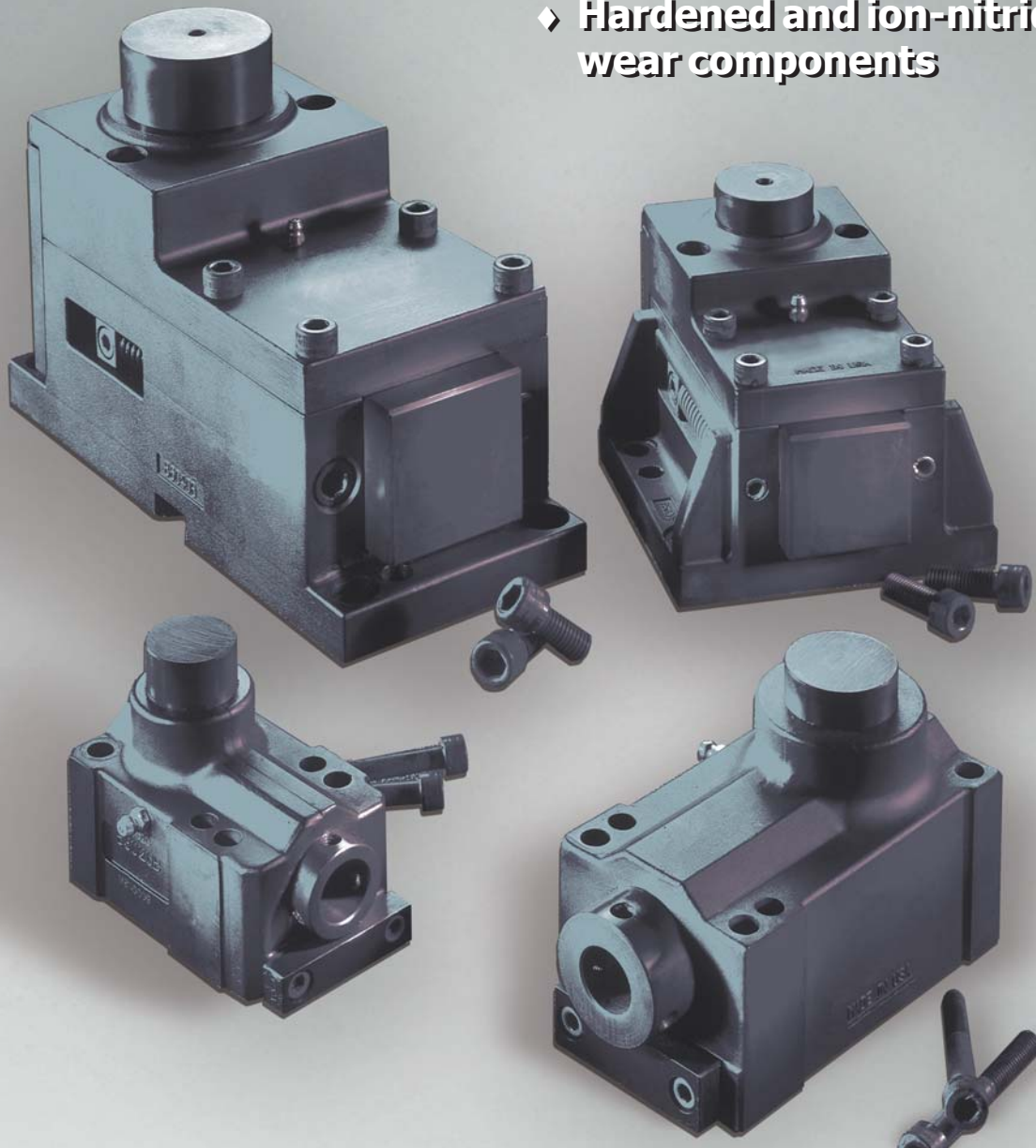


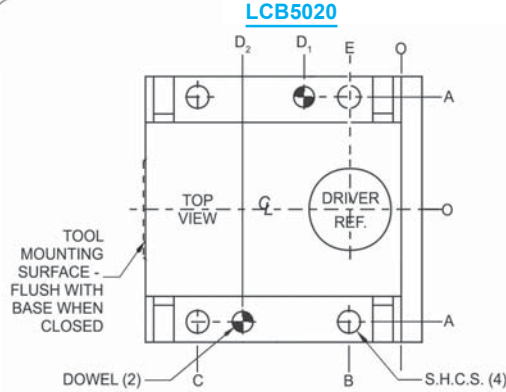
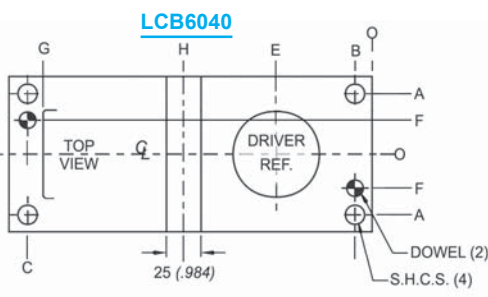
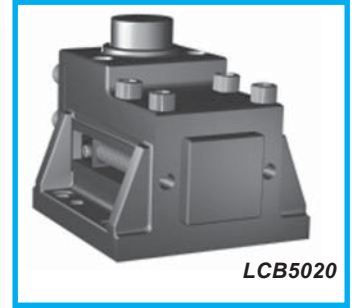
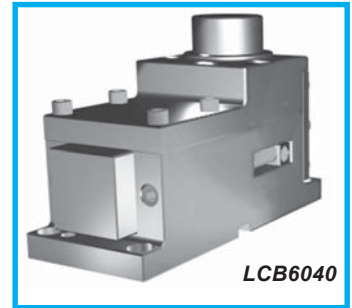
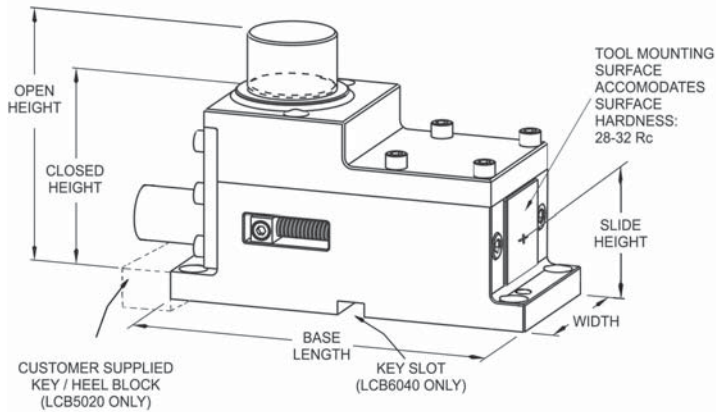


Bump Cams

- ◆ For piercing, flanging and trimming
- ◆ Total component interchangeability
- ◆ Hardened and ion-nitrided wear components



Bump Cam – LCB Series



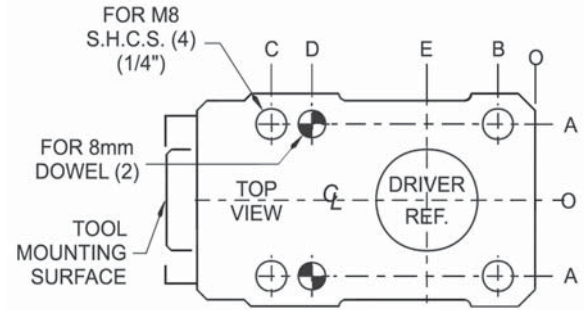
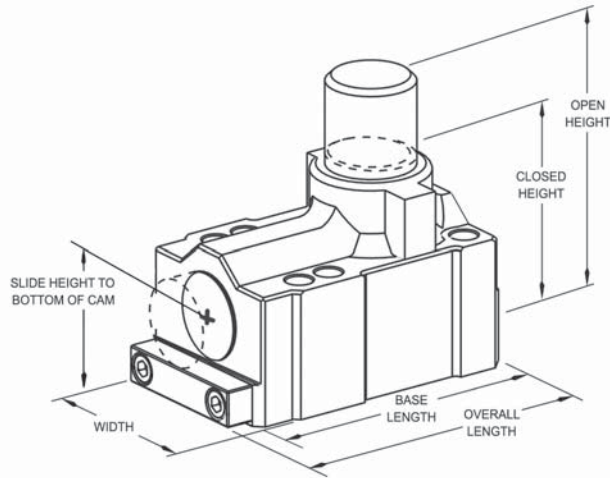
Part Number	A	B	C	D ₁	D ₂	E	F	G	H	Slide Travel	Open Height	Closed Height	Slide Height	Slide (sq.)	Width	Base Length
LCB6040	44.5 (1.75)	12.5 (.49)	251.5 (9.90)	N/A	N/A	70.0 (2.76)	25 (.98)	240 (9.45)	137.5 (5.41)	40.0 (1.57)	195.0 (7.68)	148.0 (5.83)	56.5 (2.22)	63.0 (2.48)	114.0 (4.49)	265.0 (10.43)
LCB5020	55.0 (2.17)	25.5 (1.00)	99.5 (3.92)	47.5 (1.87)	77.5 (3.05)	25.0 (.98)	N/A	N/A	N/A	20.0 (.79)	138.0 (5.43)	114.0 (4.49)	45.0 (1.77)	50.0 (1.97)	130.0 (5.12)	125.0 (4.92)

- ◆ The maximum dynamic load ratings have a 2:1 safety factor to assure optimum service life.
- ◆ Grease fitting installed for single point lubrication. (Moly fortified NLGI #2 grade Lithium 12 grease.)

CAM PART NUMBER		LCB6040	LCB5020
Load Rating	Slide output working force at maximum Dynamic Load	35.6 kN (4 tons)	22.2 kN (2.5 tons)
	Static Load at Yield	317 kN (35.7 tons)	200 kN (22.5 tons)
Replacement Return Spring	Part Number	IMD016076 (4 required)	ILD020076 (2 required)
	Pre-Load	213 N (48 lbs.)	96 N (21.5 lbs.)
	Final Load (full stroke)	811 N (182 lbs.)	730 N (164 lbs.)
Optional Spring Return Booster Kit	Part Number	B6040BSK	B5020BSK
	Diameter	41mm (1.61)	34.5mm (1.36)
	Length	153mm (6.00)	89mm (3.50)
Replacment Booster Spring	Part Number	IMD040139	ILD032076
	Pre-Load	218 N (49 lbs.)	98 N (22 lbs.)
	Final Load (full stroke)	1907 N (428 lbs.)	238 N (53.5 lbs.)
Mounting Requirements	Dowels	2 X 12mm	2 X 10mm
	Screws	4 X M12 S.H.C.S (1/2")	4 X M10 S.H.C.S. (3/8")
	Keyway/Heel Block	25mm slot (as shown)	Customer supplied (at rear)

Inch reference dimensions shown in brackets.
All dimensions are for reference only.
No tolerance is stated or implied.

Bump Cams – LCM Series

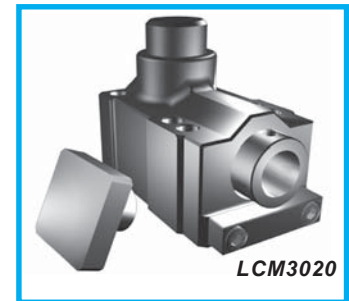


PART NUMBER	A	B	C	D ±0.01	E	SLIDE TRAVEL	OPEN HGT.	CLOSED HGT.	SLIDE HGT.	SLIDE DIA.	WIDTH	BASE LENGTH	OVERALL LENGTH
LCM3020	22.5 (.89)	11.0 (.43)	78.0 (3.07)	66.0 (2.60)	32.0 (1.26)	20.0 (.79)	95.0 (3.74)	71.0 (2.80)	30.0 (1.18)	30.0 (1.18)	66.0 (2.60)	100.0 (3.94)	109.5 (4.31)
LCM4025	30.0 (1.18)	9.0 (.35)	118.0 (4.65)	106.0 (4.17)	37.0 (1.46)	25.0 (.98)	119.0 (4.69)	89.0 (3.50)	40.0 (1.57)	40.0 (1.57)	79.0 (3.11)	127.0 (5.00)	136.5 (5.37)

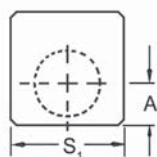
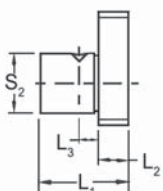
◆ The maximum dynamic load ratings have a 2:1 safety factor to assure optimum service life.

◆ Grease fitting installed for single point lubrication. (Moly fortified NLGI #2 grade Lithium 12 grease.)

CAM PART NUMBER		LCM3020	LCM4025
Load Rating	Slide output working force at maximum Dynamic Load	8.9 kN (1.0 tons)	13.3 kN (1.5 tons)
	Static Load at Yield	267 kN (30 tons)	534 kN (60 tons)
Replacement Return Spring	Part Number	ILD012076	ILD016102
	Pre-Load	38 N (8.5 lbs.)	78 N (17.5 lbs.)
	Final Load (full stroke)	328 N (73.7 lbs.)	468 N (105 lbs.)



SQUARE ADAPTERS for LCM SERIES



Adapter face will accommodate mounting & dowel holes for standard or special punch retainers.

Adapter hardness: 28-32 Rc.

PART NUMBER	S ₁	S ₂	L ₁	L ₂	L ₃	A
LCM3002	38.0 (1.50)	20.0 (.79)	30.0 (1.18)	10.0 (.39)	6.5 (.26)	14.0 (.55)
LCM4002	50.0 (1.97)	30.0 (1.18)	30.0 (1.18)	10.0 (.39)	6.5 (.26)	20.0 (.79)

Inch reference dimensions shown in brackets.
All dimensions are for reference only.
No tolerance is stated or implied.



Bump Cams



Distributed by:

www.danly.com
cams@danly.com

WITHIN THE USA & CANADA
CALL: 800-243-2659
FAX: 800-833-2659

OUTSIDE THE USA & CANADA
CALL: 001-248-489-7816
FAX: 001-248-553-6842